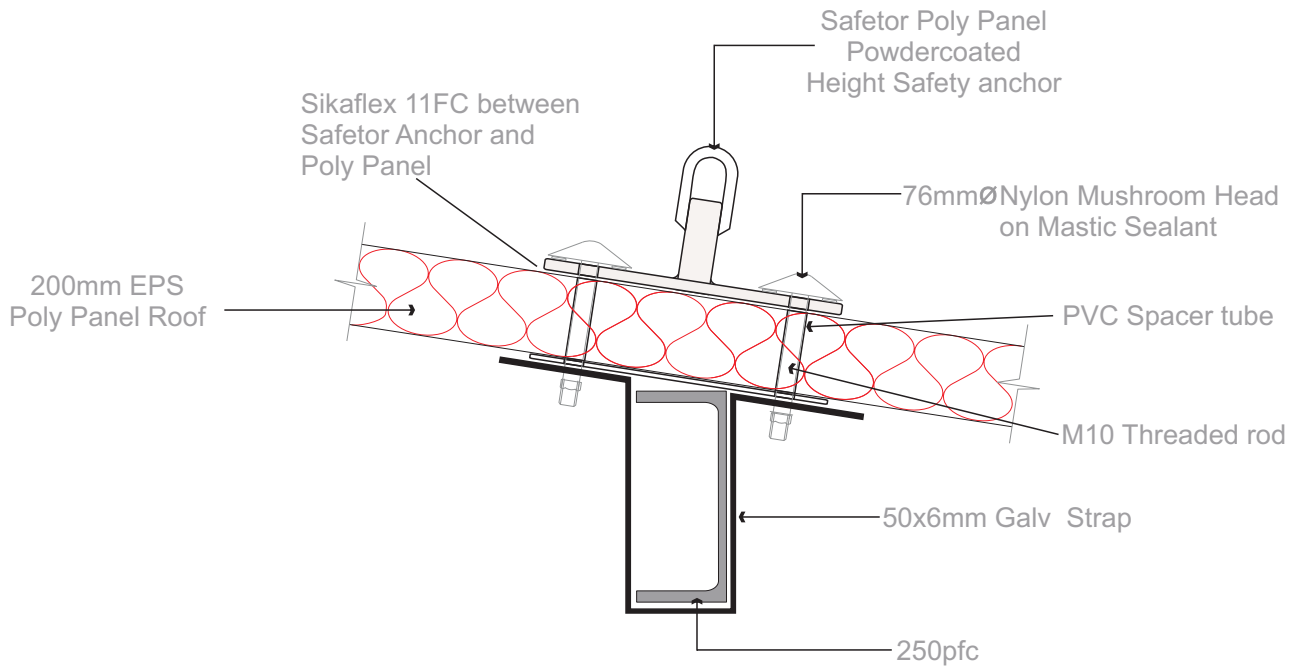


## Safetor Poly Panel Height Safety anchor (SPPA)

### Structural attachment Detail

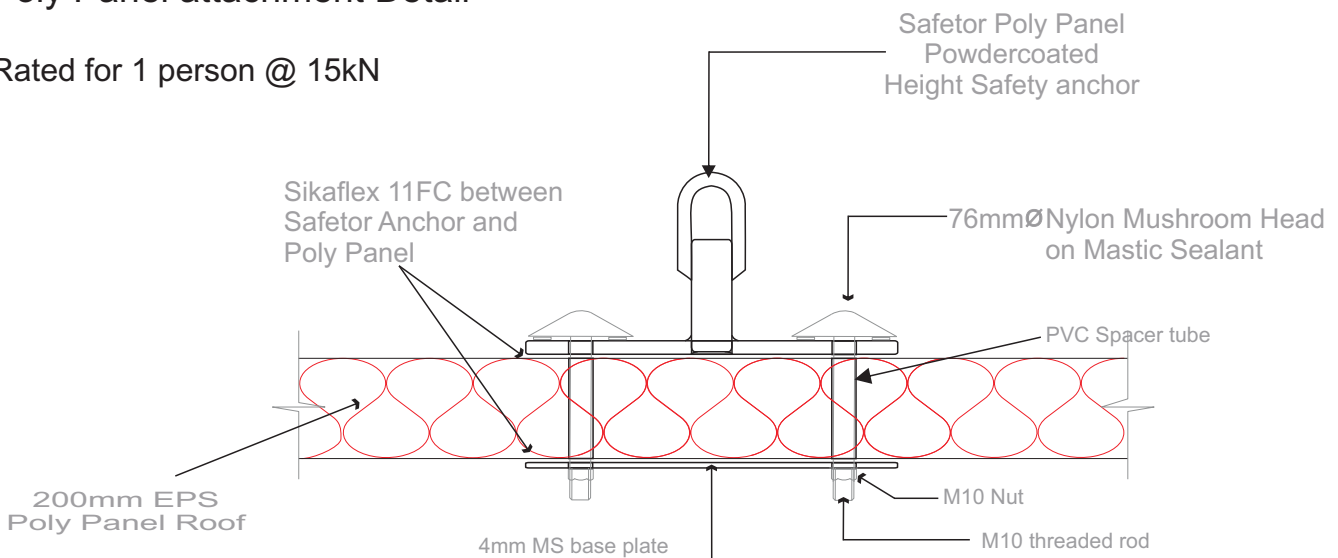
Rated for 2 person @ 21kN



## Safetor Poly Panel Height Safety anchor (SPPA)

### Poly Panel attachment Detail

Rated for 1 person @ 15kN



**NB: Never work in Fall-Arrest  
Always work in Restraint**

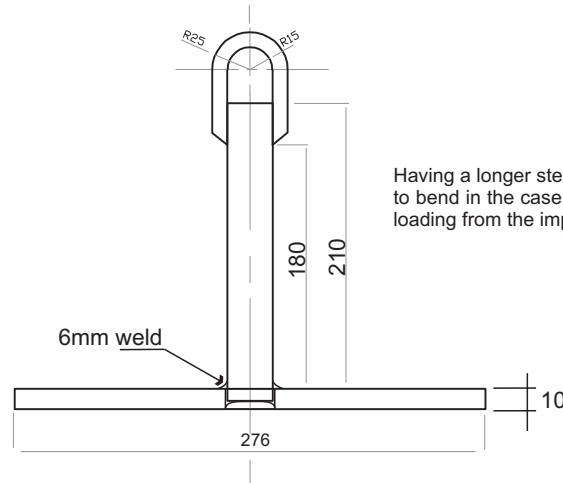
## Safetor Poly Panel Height Safety anchor (SPPA)

### Poly Panel Anchor Detail

Rated for:

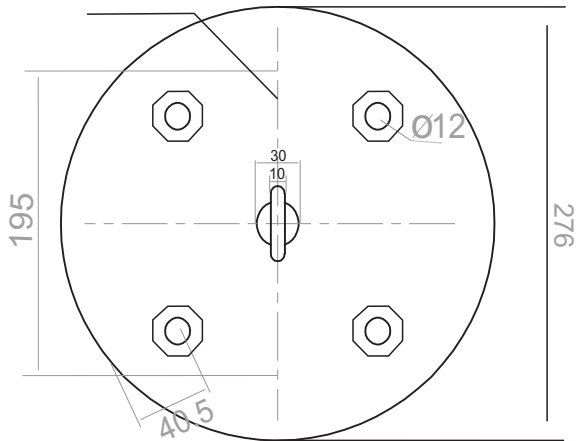
1 person @ 15kN

2 person @ 21kN

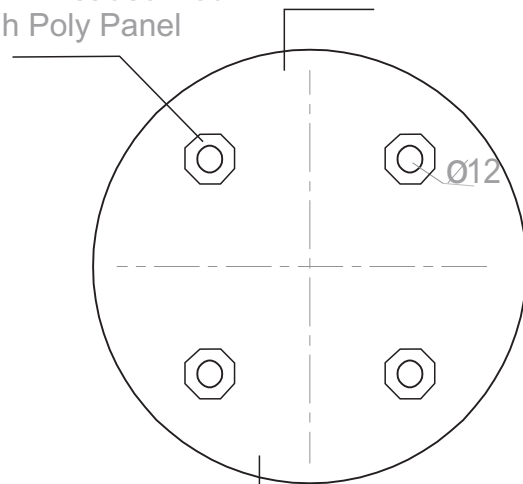


Having a longer stem on the anchor allows the anchor to bend in the case of a fall. This will reduce the full loading from the impact on the poly panel

4xM10mm Threaded Rod through Poly Panel

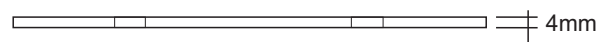


4xM10mm Threaded Rod through Poly Panel



4mmx276mm Backing Plate for underside of Poly Panel

Safetor Poly Panel Powdercoated Backing Plate



Base Plate

Safetor Poly Panel Height Safety anchor (SPPA)

Certification for anchor only:



**MATERIALS & TESTING  
LABORATORIES LIMITED**  
Destructive & Non-destructive Test House

**CERTIFICATE OF TEST**

Report No. 23787.1  
Page 1 of 1 page

**Reference:** COLLINS CORPORATION  
Attention: Nick

**Load Testing of "Safety Roof Anchor"**

**Identification:** 3 x Short Shaft Roof Anchors supplied & painted Black, # 2142, 2141 & 2140.

**Test Equipment:** Shimadzu Universal Grade 1 Testing Machine, Model REH 50, Serial No. 72666. Calibration due May 2008.

**RESULTS:**

Unit	Test #	Position	kN	Kg	Remarks
2142	1	Vertical Tensile Load	70.45	7184	Eye elongated; yielded
2141	2	Sideways pull – parallel to eye	40.45	4125	Eye snapped
2140	3	Sideways pull – parallel to eye	47.82	4876	Eye snapped

This report applies only to the samples under test.

Tested by: NU  
Date tested: 18/10/07  
Reported by: NU  
Date reported: 26/10/07  
Checked by: *NU*

Signed:  .....  
J SAUNDERS